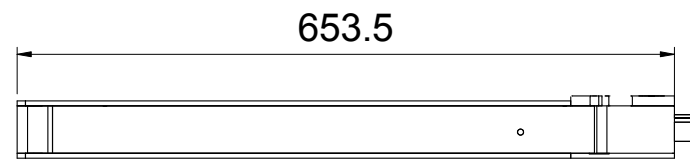
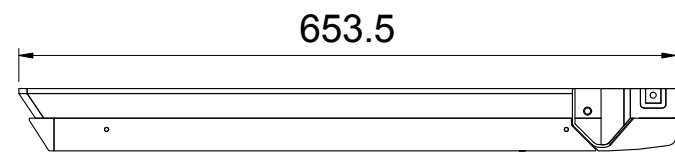


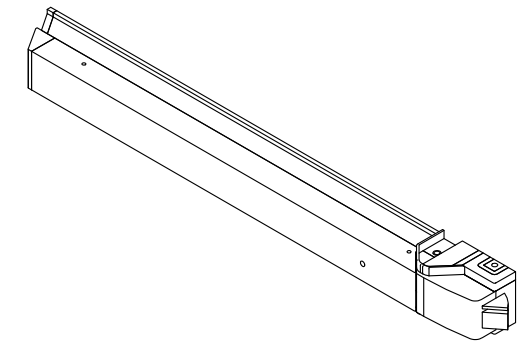
**02** Side View  
1 : 7



**03** Front View  
1 : 7



**04** Top View  
1 : 7



**01** 3D View

Item	Description	Panic Latch	Finish Option
KE-5710	57 Series Touch Bar Panic Latch		Stainless Steel Brass Plated

Rev	Date	Description	Initial
Title : KE-5710			
Contract : KCC Architectural			
Scales are as shown, original drawing size A3			
		Creator : IN	
		Checked by : SQ	
		Scale : N.T.S	
		First issue : 04-01-2020	
		Project No :	
	DRG No :		Rev

© This document is the property of KCC ARCHITECTURAL. Copyright is reserved by them, and the drawing is issued on the condition that it is not copied, reproduced or retained by, nor disclosed to an unauthorised person either wholly or in part, without the consent in writing from KCC ARCHITECTURAL. For the purposes of continual development, KCC reserves the right to change specifications and dimensions without notice. All dimensions are to be checked by the contractor on site before commencement of works. Do not scale from this drawing

The details and drawings on this template conform to the UK Governments 2016 BIM guidelines.