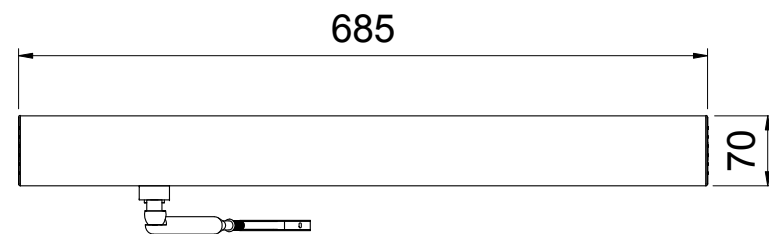
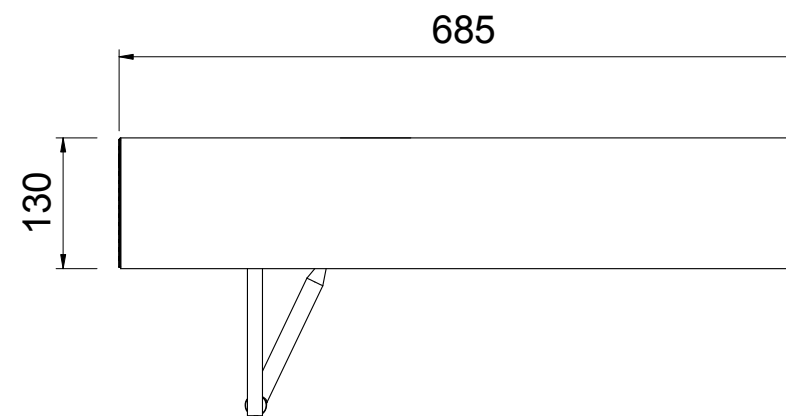


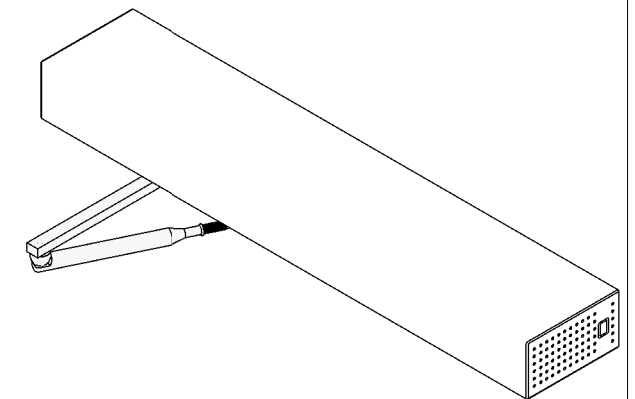
02 Side View
1 : 7



03 Front View
1 : 7




04 Top View
1 : 7



01 3D View

Automatic Swing Doors		
Item	Description	Finish Option
KAD-ED250A Push	Dorma Fully Automatic Drive System for Automatic Swing Doors up to 400kg Leaf Weight and up to 1,600mm Wide	n/a

Rev	Date	Description	Initial
Title : KAD-ED250A Push			
Contract : KCC Architectural			
Scales are as shown, original drawing size A3			
		Creator : IN	
		Checked by : SQ	
		Scale : N.T.S	
		First issue : 18-11-2019	
		Project No :	
DRG No :		Rev	