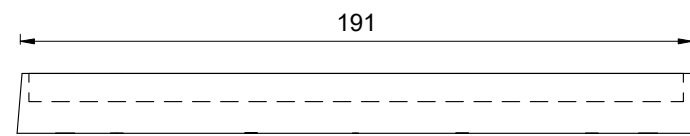
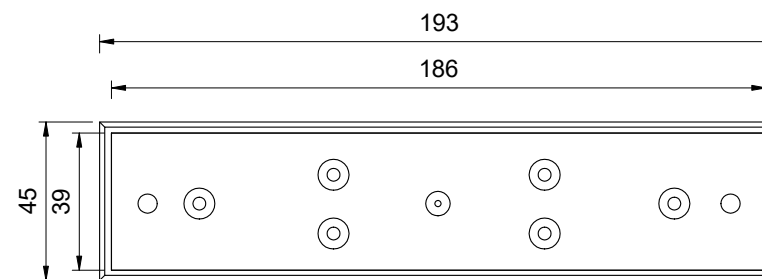


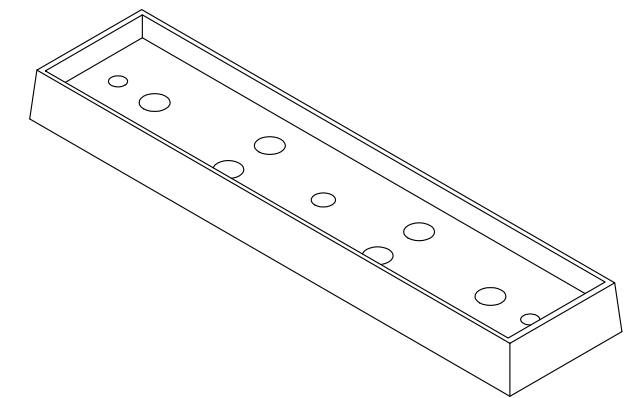
02 Side View
1 : 2



03 Front View
1 : 2




04 Top View
1 : 2



01 3D View

Armature Plate		
Item	Description	Finish Option
KEM-300AP	KCC Armature Housing To Suite KEM300 Range of Slimline Magnets	Aluminium Finish

Rev	Date	Description	Initial
Title : KEM-300AP			
Contract : KCC Architectural			
Scales are as shown, original drawing size A3			
		Creator : Rony	
		Checked by : Denis	
		Scale : N.T.S	
		First issue : 29-05-2018	
		Project No :	
	DRG No :		Rev A