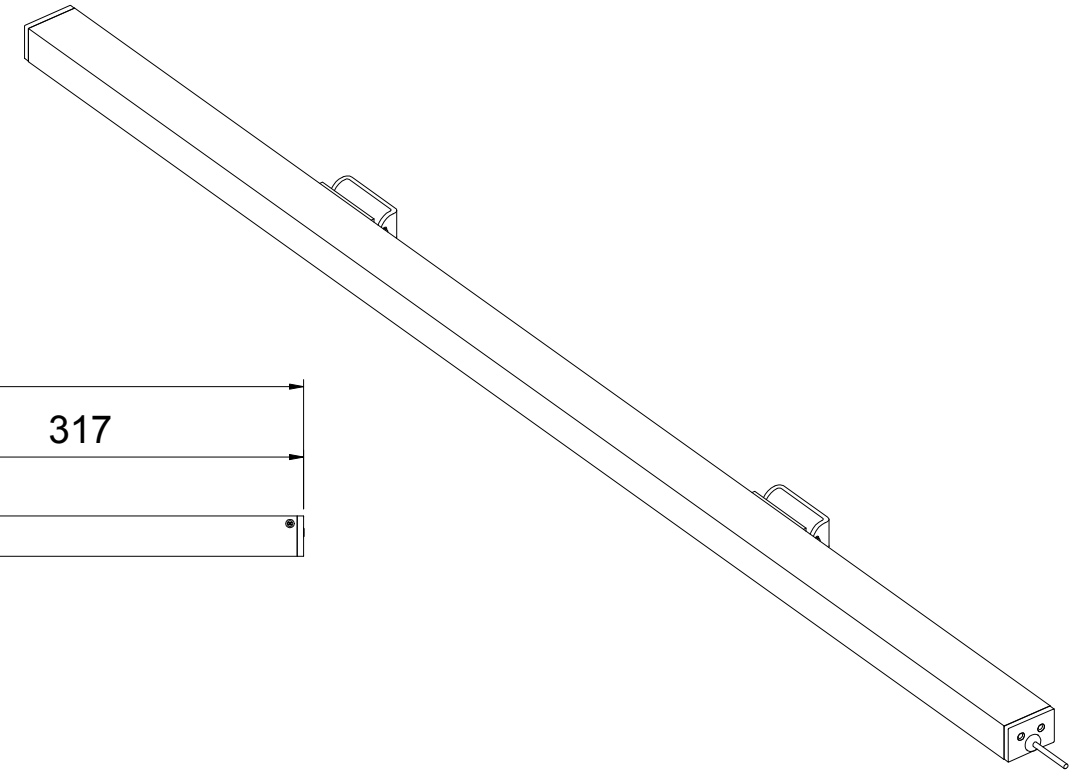
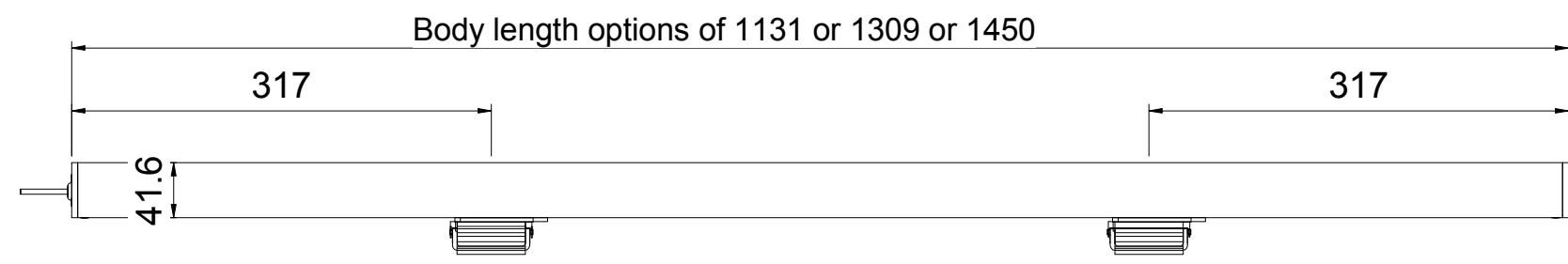


03 Front View
1 : 5



01 3D View

02 Side View
1 : 5



04 Top View
1 : 5

Electronic Twin Chain Actuator		
Item	Description	Finish Option
KWAC-SE/SECO/T/N2425	SE Controls TWIN SECO 'N'Electronic Twin Chain Actuator for Environmental Ventilation Applications 24 VDC	Powder Coated RAL9006 (Grey). Other RAL colours available on request

Rev	Date	Description	Initial
Title : KWAC-SE/SECO/T/N2425			
Contract : KCC Architectural			
Scales are as shown, original drawing size A3			
		Creator : Shelly	
		Checked by : Sohraab	
		Scale : N.T.S	
		First issue : 29-07-2019	
		Project No :	
DRG No :		Rev	A

© This document is the property of KCC ARCHITECTURAL. Copyright is reserved by them, and the drawing is issued on the condition that it is not copied, reproduced or retained by, nor disclosed to an unauthorised person either wholly or in part, without the consent in writing from KCC ARCHITECTURAL. For the purposes of continual development, KCC reserves the right to change specifications and dimensions without notice. All dimensions are to be checked by the contractor on site before commencement of works. Do not scale from this drawing

The details and drawings on this template conform to the UK Governments 2016 BIM guidelines.