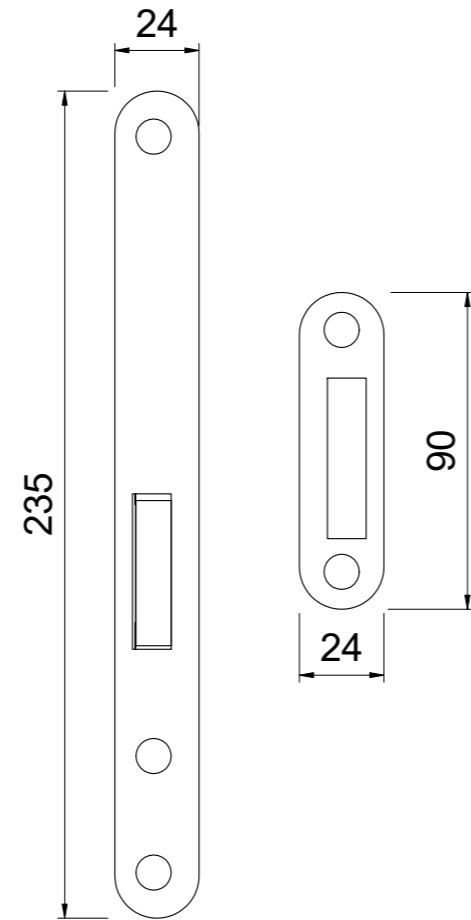
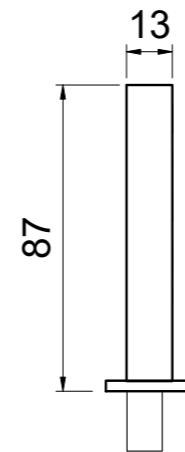


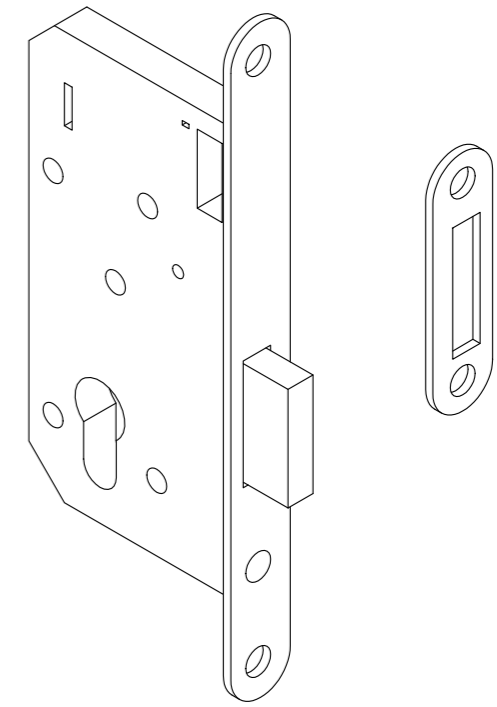
**02 Side View**  
1 : 2



**03 Front View**  
1 : 2



**04 Top View**  
1 : 2



**01 3D View**

Locks / Lockcases				
Item	Description	Material	Forend	Finish Option
KL-1902R	KCC Modular Mortice Deadlock	Stainless Steel Forend	Radius	Satin Stainless Steel (Forend)

Rev	Date	Description	Initial
Title : KL-1902R			
Contract : KCC Architectural			
Scales are as shown, original drawing size A3			
KCC GROUP		Creator : Shelly	
		Checked by : Sandy	
		Scale : N.T.S	
		First issue : 16-01-2018	
		Project No :	
		DRG No :	Rev A