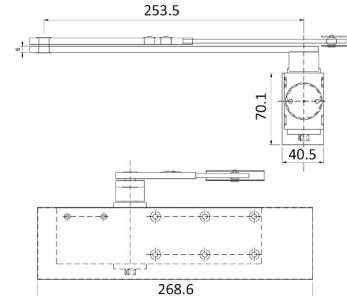


Description

KCC Overhead Door Closer



Technical Features

EN Power Size	2 to 4	Hold Open	Optional by Arm (not suitable for Fire Doors)
Width of Door (mm)	850 - 1100	Non-handed	Yes
Door Width Test Weight (Kg) - see EN1154	40 - 80	Cover	Yes
Arm Type	Standard 'V'	Application	Fig 1, Fig 61 & Fig 66
Closing Mechanism	Rack & Pinion	Dimensions	
Power Shoe Arm Bracket	Yes	Body Length (mm)	268.60
Angle of Opening	180 Degrees	Body Height (mm)	70.10
Power Adjustable by	Position on Door	Body Projection / Width (mm)	40.50
Adjustable Speed. Sweep/Latch	Yes / Yes	Finishes	
Backcheck	No	Finish without Cover	n/a
Delayed Action Adjustable	No	Finish with Cover	SSS, PSS, PB, RAL Colour

Certification

European Norm	hEN1154
Product Classification	④⑧④①①③ ②
EC Certificate of Conformity No.	2812-CPR-AD0108
Certifire No.	CF5263
Declaration of Performance	DOP001
Other Test Evidence	n/a

BIM Assist™

CE

Certifire

BC(A)R Assist™*

Guarantee

10 Years

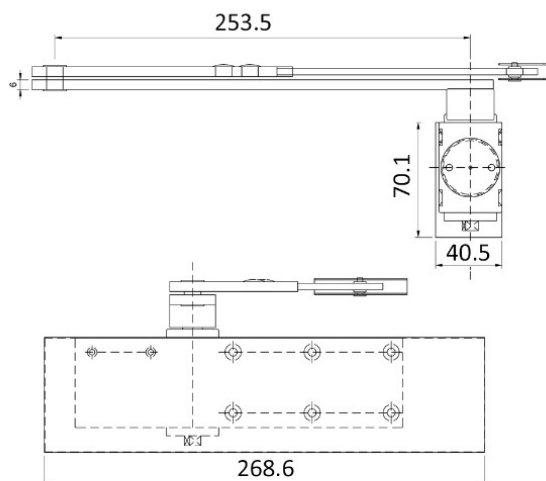
Last Reviewed

19/07/2016

* ROI Only

Description

KCC Overhead Door Closer



Specification Text

- 410 OVERHEAD DOOR CLOSERS
- Standard: To BS EN 1154.
 - Door closing devices to fire/ smoke control doors: CE marked.
 - Manufacturer: KCC Group
 - Product reference: KD-9130
 - Type: Rack & Pinion Overhead Door Closer c/w Cover
 - Power size: 2 to 4
 - Other functions: n/a
 - Casing finish: [SPECIFY FINISH]
 - Operational adjustment:
 - Variable power: Matched to size, weight and location of doors.
 - Latched doors: Override latches and/ or door seals when fitted.
 - Unlatched doors: Hold shut under normal working conditions.
 - Closing against smoke seals of fire doors: Positive. No gaps.
- 412 PERFORMANCE SPECIFICATION FOR OVERHEAD DOOR CLOSERS
- Standard: To BS EN 1154.
 - Door closing devices to fire/ smoke control doors: CE marked.
 - Minimum classification grades:
 - Category of use: 4.
 - Durability: 8
 - Door closer power size: 2/4
 - Suitability for use on fire/ smoke doors: 1
 - Safety: 1
 - Corrosion resistance: 3
 - Type: Rack & Pinion Overhead Door Closer c/w Cover
 - Other functions: n/a
 - Casing finish: [SPECIFY FINISH]
 - Operational adjustment:
 - Variable power: Matched to the sizes and weights of doors.
 - Latched doors: Override latches and/ or door seals when fitted.
 - Unlatched doors: Hold shut under normal working conditions.
 - Closing against smoke seals of fire doors: Positive. No gaps.

For the purpose of continual product development, KCC reserves the right to change specifications without notice. Please accept all dimensions as approximate. E&OE. © KCC Group 2025.