

Description

KCC QBIQ Full Glass, Single Glazed Wall System



Product Summary

IQ Single is a smooth, full-glass wall system designed and developed in accordance with the principles of minimalism. It's a single-glazed system that is unique thanks to highly limited use of frames. The result is a state-of-the-art, almost futuristic appearance. Sleek and minimalistic with seamless transitions to doors and other elements. This glass wall partition system belongs to our latest generation of designs and is intended for today's workplace. Non fire rated

Certification

European Norm	No Harmonised European Norm
Product Classification	n/a (No Harmonised European Norm)
EC Certificate of Conformity No.	n/a (No Harmonised European Norm)
Certifire No.	n/a
Declaration of Performance	n/a (No Harmonised European Norm)
Other Test Evidence	n/a

BIM Assist™

BC(A)R Assist™*

Guarantee

2 Years (Conditional)

Last Reviewed

14/08/2019

* ROI Only

For the purpose of continual product development, KCC reserves the right to change specifications without notice. Please accept all dimensions as approximate. E&OE. © KCC Group 2025.

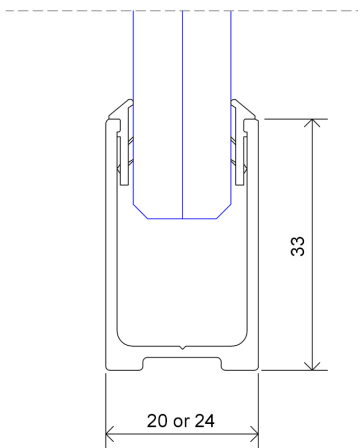
Description

KCC QBIQ Full Glass, Single Glazed Wall System



Features

- Full glass, single glazed wall & door system
- Minimalist floor and ceiling profiles of 33 mm in height
- Practically seamless with fully transparent 0-joints
- Wide range of colours and finishes are available
- Extensive selection of compatible doors
- Non fire rated



Floor & Ceiling Track Detail

Technical Characteristics

- Glass Wall thickness: 13mm
- Floor Track: Aluminium profile, 33 mm high and 20mm or 24mm width (dependent on the glass detail) with acoustic tape providing sound-proofing between the track and the floor
- Ceiling Track: Aluminium profile, 33 mm high and 20mm or 24mm width (dependent on the glass detail) with acoustic tape providing sound-proofing between the track and the ceiling
- Glazed wall sections: Up to 3000mm in height, 13mm thick 66.2 glass consisting of 2 x 6mm panes of glass separated by 2 x transparent plastic interlayer PVB films
- Clad wall sections: Up to 1200mm in height as standard, other sizes are available. Sections can include dry wall in plaster, vinyl, melamine or in steel
- Doors: Full glass, 10mm tempered, up to a maximum height of 2700mm (can be increased under special arrangement)
- Doors: Wooden door with high pressure laminate (HPL) or veneer finish
- Door frames: Aluminium block frame with single and / or double rubber seal
- Section joints: 0-joint
- Profile metallic finishes: Alu chrome, RAL9006 (white aluminium)
- Profile colours: Powder coated in any RAL colour and with a gloss level of 30% or 70%
- Acoustic STC rating: From $R_w=36dB(1)$ till $R_w=42dB(1)$

(1)=subject to final design and site conditions



Qbiq Projects

- Single glass wall with full glass door



Qbiq Projects

- IQ Single in an office environment



Qbiq Projects

- TBWA's offices in Amsterdam



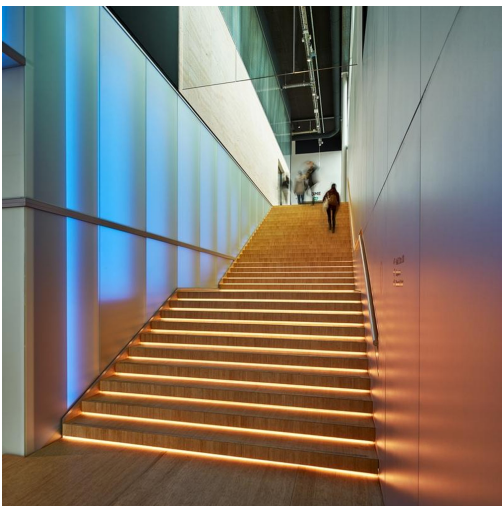
Qbiq Projects

- IQ-Single, t-connection of single glass partition walls with two doors



Qbiq Projects

- Single glass wall in profiles finished in alugold



Qbiq Projects

- Blue light behind IQ-Single glass wall

Description

KCC QBIQ Full Glass, Single Glazed Wall System



Specification Text

GLAZED WALL SPECIFICATION

- Manufacturer: KCC Group / Qbiq B.V.
- Product reference: KW-IQ SINGLE NFR
- Type: KCC QBIQ Full Glass, Single Glazed Wall System
- Fire: None Fire Rated

- TRACK

- Thickness: 77, 100 or 125 mm [SPECIFY]
- Floor & Ceiling: Floor Aluminium profile, 33 mm high and 20mm or 24mm width (dependent on the glass detail) with acoustic tape providing sound-proofing between the track and the floor / ceiling

- GLAZED WALL SECTIONS

- Glazed wall sections: Up to 3000mm in height, double glazed, 66.A2 (with a transparent plastic interlayer – PVB, for enhanced acoustic performance) or 66.2 glass (without PVB)
- Section joins: 0-joint

- CLAD WALL SECTIONS

- Up to 1200mm in height as standard, other sizes are available.
- Sections can include dry wall in plaster, vinyl, melamine or in steel

- DOORS & FRAMES

- Full glass, 10mm tempered, up to a maximum height of 2700mm
- Wooden door with high pressure laminate (HPL) or veneer finish
- Frames: Aluminium block frame with single and / or double rubber seal

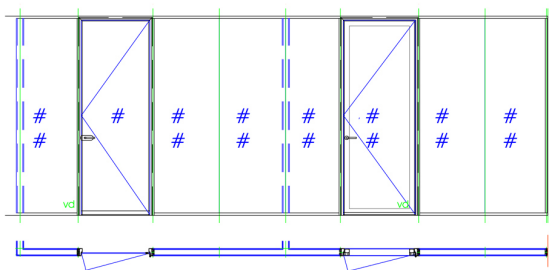
- FINISHES

- Profile metallic finishes: Alu chrome, RAL9006 (white aluminium)
- Profile colours: Powder coated in any RAL colour and with a gloss level of 30% or 70%

- ACOUSTIC, RW

- From $R_w=36\text{dB}$ to $R_w=42\text{dB}^*$

*Dependent upon the final design



Typical Arrangement