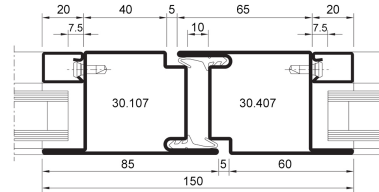


Description

KCC Schuco Jansen Glazed Fire Protection. Economy 50, Fire Resistant and Smoke Proof System for Doors, Partitions & Facades



Typical Meeting Style

Technical Features

Function & Operation Fire Resistant and smoke proof glazed fire system for doors, partitions and facades. Schuco Jansen glazed fire protections systems are used to separate fire compartments and significantly delay the spread of smoke and fire. Thanks to their insulating properties, they counteract an increase in temperature on the side facing away from the fire, which helps to secure the escape routes in stairwells or corridors, for example

Summary of Features See advanced features

Options See advanced features

Dimensions

Dimensions See advanced features

Finishes

Finishes Available See advanced features

Certification

European Norm	No Harmonised European Norm
Product Classification	n/a (No Harmonised European Norm)
EC Certificate of Conformity No.	n/a (No Harmonised European Norm)
Certifire No.	n/a
Declaration of Performance	n/a (No Harmonised European Norm)
Other Test Evidence	n/a

BIM Assist™

BC(A)R Assist™*

Guarantee

1 Year

Last Reviewed

20/11/2018

* ROI Only

For the purpose of continual product development, KCC reserves the right to change specifications without notice. Please accept all dimensions as approximate. E&OE. © KCC Group 2025.

Description

KCC Schuco Jansen Glazed Fire Protection. Economy 50, Fire Resistant and Smoke Proof System for Doors, Partitions & Facades

**Selection Characteristics**

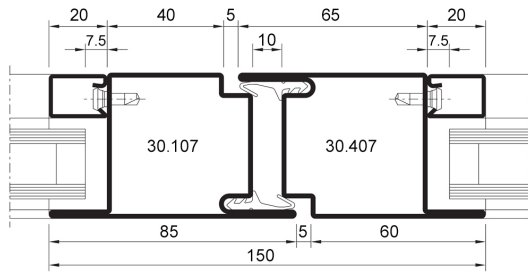
This product is suitable for the following applications:

- Latched Rebated Doors, Single & Double Leaf, Inward or Outward Opening
 - Fire Resistance 30/0, 60/0, 120/0* (Integrity Only)
 - Not suitable for push / pull doors
 - Double leaf doors must have one leaf secured by flush bolt
- Screens
 - Fire Resistance 30/0, 60/0, 90/0, 120/0. (Integrity Only)

*Double Door Only

**Features**

- Fire and smoke rated doors and partitions in steel and stainless steel
- Elegant 50mm frame depth, transparent building components provided as single or double leaf doors, with side lights and / or toplights or as a partition wall all designed to prevent the spread of smoke and fire
- System option allows for a non glazed flush fitted door with continuous shadow joints inside and outside
- In the event of a fire, a low-flammability double rebate gasket guarantees a secure closure

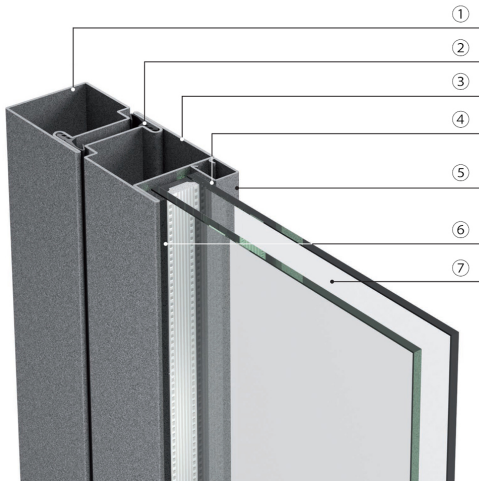


Typical Meeting Style

Economy 50 Door

- Steel or stainless steel system for doors and fixed glazing
- 50 mm basic depth, flush-fitted on the inside and outside
- Narrow face widths
 - Frame and leaf from 130 mm
 - Meeting stile assembly 150 mm
- Single and double-leaf doors, inward and outward-opening, can be combined with toplight or fixed glazing
- Our fire certification allows for single door applications with clear opening heights of up to 2500mm and clear opening widths of up to 1300mm. Double leaf applications with clear opening heights of up to 2500mm and clear opening widths of up to 2400mm.
- Leaf weight up to 230 kg
- Glass infill unit thickness of 5 to 29 mm, glazing installed by means of dry or wet glazing
- CE certified system in accordance with the product standard EN 14351-1*
- Material
 - Steel: Pre-galvanised steel profiles, suitable for powder and wet paint coating or stove enamelling
 - Stainless Steel: Profiles manufactured from grade 1.4401 (AISI 316L) or 1.4307 (AISI 304L), finished satin or polished
- Large range of system-tested door fittings
- Easy-access thresholds

*CE Certification is dependant upon the options selected and the configuration of the system. We can advise you further when the design is known

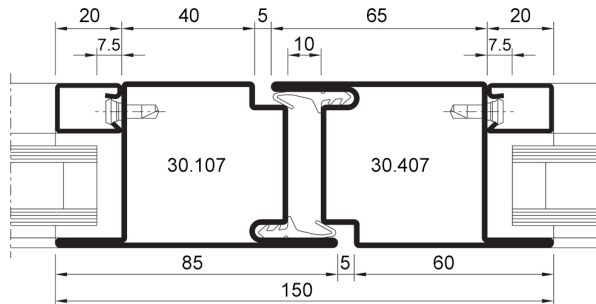


Door Characteristics

- ① Frame profile
- ② Door gasket
- ③ Leaf profile
- ④ Packing tape (wet glazing) or glazing gasket (dry glazing)
- ⑤ Stainless steel glazing bead
- ⑥ Packing tape (wet glazing) or glazing gasket (dry glazing)
- ⑦ Insulating glass (glass type to suit fire rating)

Description

KCC Schuco Jansen Glazed Fire Protection. Economy 50, Fire Resistant and Smoke Proof System for Doors, Partitions & Facades



Typical Meeting Style

For the purpose of continual product development, KCC reserves the right to change specifications without notice. Please accept all dimensions as approximate. E&OE. © KCC Group 2025.

www.thekccgroup.com