

**Description**

DaoSafe Modular Optical Swing Speed Gate



**Product Summary**

The DS212D is a optical modular speed gate system to control pedestrian entry or exit in restricted internal areas

**Certification**

European Norm	No Harmonised European Norm
Product Classification	n/a (No Harmonised European Norm)
EC Certificate of Conformity No.	n/a (No Harmonised European Norm)
Certifire No.	n/a
Declaration of Performance	n/a (No Harmonised European Norm)
Other Test Evidence	n/a

**BIM Assist™**

**CE**

**BC(A)R Assist™\***

**Guarantee**

**3 Years Mechanical**

Last Reviewed

17/06/2026

\* ROI Only

*For the purpose of continual product development, KCC reserves the right to change specifications without notice. Please accept all dimensions as approximate. E&OE. © KCC Group 2026.*

## Description

DaoSafe Modular Optical Swing Speed Gate



### Features

- Optical swing speed gate with two way or one way direction
- Flow rate of 35-40 people per minute
- Indoor or outdoor (with shelter) use
- Integrates with most access control systems
- Passage width of 600-1000mm as standard
- Automatic reset function: swing arms will lock automatically within 5s (adjustable) if passenger delays entry
- Lower power consumption of 40w
- Low noise
- Green and red LED indicator display passing status
- Fire safety requirements, arms open automatically (fire alarm interface required)

### Technical Characteristics



- Framework material: 304 stainless steel + plexiglas arm + full glass on side
- Arm material: Plexiglas-transparency
- Passage width: 600mm (standard), 1000mm (accessible)
- Passing direction: Single directional / Bi-directional
- Power supply: AC220V/110V, 50/60Hz
- Operation voltage: 24V DC
- Power consumption: 40W
- Operational temperature: -20°C - +75°C
- Operation humidity: 0 ~ 95% (No condensation)
- Working environment: Indoor / Outdoor (with shelter)
- Flow rate: 35 - 40 people per minute
- LED indicator: Two LED indicators on top - green & entry, red × no entry
- Infrared sensor: 6 pairs
- Emergency: Automatic arm open when power off
- Communication: Dry contact, relay signal, RS485
- Integration: Possible with most access control systems

## Description

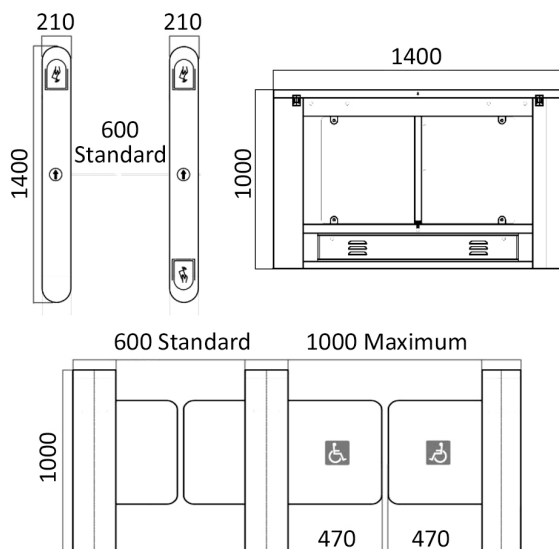
DaoSafe Modular Optical Swing Speed Gate



## Specification Text

### SENSOR BARRIER / TURNSTILE

- Manufacturer: KCC Group / DaoSafe
- Product reference: KAB-DS212D
- Type: DaoSafe Modular Optical Swing Speed Gate
- Flow rate: 35-40 people per minute
- Passing direction: Single & bi-directional
- Passage width: 600mm (standard), 1000mm (accessible) - [SPECIFY]
- Working environment: Indoor and outdoor (sheltered)
- Framework material: Grade 304 Stainless Steel
- LED indication: GREEN = entry, RED = no entry
- Power Failure: Automatic arm open when power off
- Communication: Dry contact, relay signal, RS485
- Power supply: AC220V/110V, 50/60Hz
- Operation voltage: 24vDC
- Power consumption: 40W
- Operation temperature: -20 °C to 75 °C
- Operation Humidity: 0 ~ 95% (no condensation)
- Infrared sensor: 6 pairs



For the purpose of continual product development, KCC reserves the right to change specifications without notice.  
Please accept all dimensions as approximate. E&OE. © KCC Group 2026.