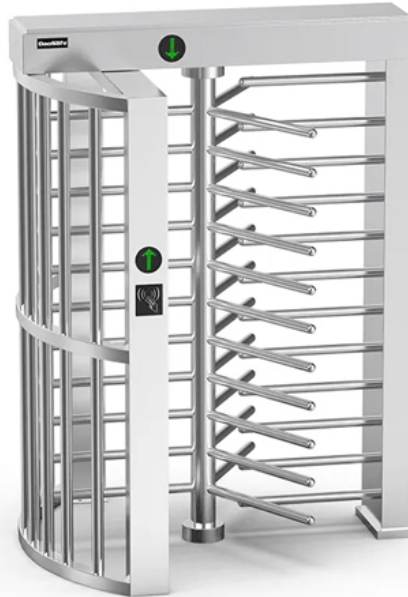


Description

Daosafe Full Height Turnstile



Product Summary

Full height turnstile designed to provide entry access solutions for high security applications

Certification

European Norm	No Harmonised European Norm
Product Classification	n/a (No Harmonised European Norm)
EC Certificate of Conformity No.	n/a (No Harmonised European Norm)
Certifire No.	n/a
Declaration of Performance	n/a (No Harmonised European Norm)
Other Test Evidence	n/a

BIM Assist™

CE

BC(A)R Assist™*

Guarantee

3 Years Mechanical

Last Reviewed

03/02/2025

* ROI Only

For the purpose of continual product development, KCC reserves the right to change specifications without notice. Please accept all dimensions as approximate. E&OE. © KCC Group 2025.

Description

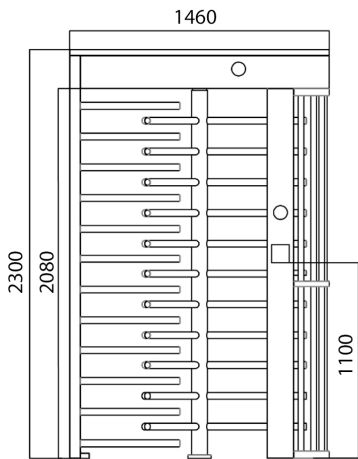
Daosafe Full Height Turnstile

**Features**

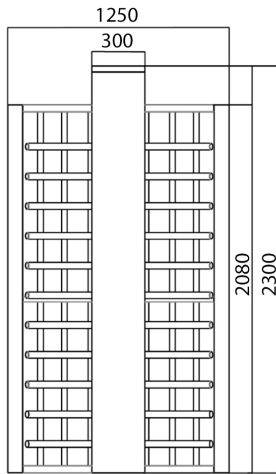
- Full height turnstile designed to provide entry access solutions for high security applications
- Integrates with most access control systems
- Long-life performance, high operation dependability and fast response
- Grade 304 stainless steel construction
- The mechanism is equipped with an automatic regulated hydraulic buffer device. No noise and impact when running
- Single directional or Bi-directional is selectable
- Automatic reset function: turnstile arm will lock automatically within 5s (adjustable setting) if passenger delays entry
- Anti-tailing function: Only one person can pass at one time
- When power is off, arms will open automatically
- LED indicator (red × means no entry; green → means entry)
- Override key function: If power fails, manual open and close

Technical Characteristics

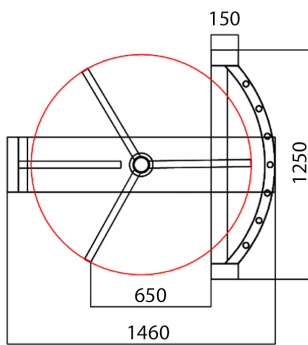
- Framework Material: 304 Full Stainless Steel
- Dimensions: 1460 x 1250 x 2300mm
- Weight: 200kg/pcs
- Passage Width: 650mm
- Arm Support: 120° rotors with 3 sections or 90° rotors with 4 sections
- Passing Direction: Single directional / Bi-directional
- MCBF (Mean Cycles Between Failures) : 10 million
- Power Supply: AC220V/110V, 50/60Hz
- Operation Voltage: 24V DC
- Power Consumption: 40W
- Operation Temperature: -15 °C - 60 °C
- Operation Humidity: 0 ~ 95% (No freeze)
- Working Environment: Indoor / Outdoor
- Flow Rate: 30 people per minute
- LED Indicator: Yes
- Emergency: Automatic arm open when power off
- Communication: Dry contact, Relay signal, RS485



Front View



Side View

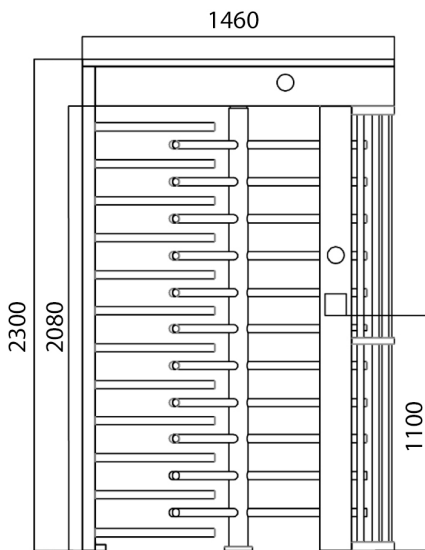
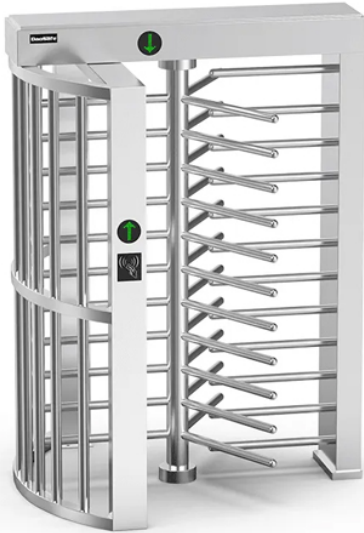


Top View

*For the purpose of continual product development, KCC reserves the right to change specifications without notice.
Please accept all dimensions as approximate. E&OE. © KCC Group 2025.*

Description

Daosafe Full Height Turnstile



Specification Text

SENSOR BARRIER / TURNSTILE

- Manufacturer: KCC Group / DaoSafe
- Product reference: KAB-DS411
- Type: Daosafe Full Height Turnstile
- Framework Material: 304 Full Stainless Steel
- Dimensions: 1460 x 1250 x 2300mm
- Weight: 200kg/pcs
- Passage Width: 650mm
- Arm Support: 120° rotors with 3 sections or 90° rotors with 4 sections
- Passing Direction: Single directional / Bi-directional
- MCBF (Mean Cycles Before Failures): 10 million
- Power Supply: AC220V/110V, 50/60Hz
- Operation Voltage: 24V DC
- Power Consumption: 40W
- Operation Temperature: -15 °C - 60 °C
- Operation Humidity: 0 ~ 95% (No freeze)
- Working Environment: Indoor / Outdoor
- Flow Rate: 30 people per minute
- LED Indicator: Yes
- Emergency: Automatic arm open when power off
- Communication: Dry contact, Relay signal, RS485