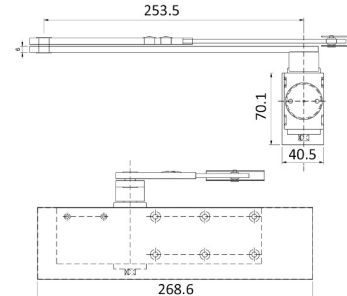


Description

KCC Overhead Door Closer c/w Backcheck* & Delayed Action* (*Excludes Figure 61)



Technical Features

EN Power Size	2 to 5	Hold Open	Optional by Arm (not suitable for Fire Doors)
Width of Door (mm)	850 - 1250	Non-handed	Yes
Door Width Test Weight (Kg) - see EN1154	40 - 100	Cover	Yes
Arm Type	Standard 'V'	Application	Fig 1, Fig 61 & Fig 66
Closing Mechanism	Rack & Pinion	Dimensions	
Power Shoe Arm Bracket	Yes	Body Length (mm)	268.60
Angle of Opening	180 Degrees	Body Height (mm)	70.10
Power Adjustable by	Spring	Body Projection / Width (mm)	40.50
Adjustable Speed. Sweep/Latch	Yes / Yes	Finishes	
Backcheck	By Valve	Finish without Cover	n/a
Delayed Action Adjustable	By Valve	Finish with Cover	SSS, PSS, PB, RAL Colour

Certification

European Norm	hEN1154
Product Classification	④⑧⑤①①③ ②
EC Certificate of Conformity No.	2812-CPR-AD0116
Certifire No.	CF5263
Declaration of Performance	DOP003
Other Test Evidence	Successful test of opening moments at power size 3. Test report 186741 & 188120

BIM Assist™

CE

Certifire

BC(A)R Assist™*

Guarantee

10 Years

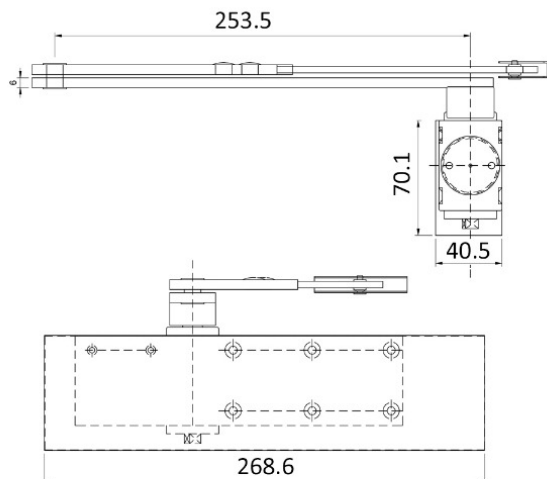
Last Reviewed

03/04/2024

* ROI Only

Description

KCC Overhead Door Closer c/w Backcheck* & Delayed Action* (*Excludes Figure 61)



Specification Text

410 OVERHEAD DOOR CLOSERS

- Standard: To BS EN 1154.
- Door closing devices to fire/ smoke control doors: CE marked.
- Manufacturer: KCC Group
- Product reference: KD-9150
- Type: Rack & Pinion Overhead Door Closer with Backcheck and Delayed Action c/w Cover
- Power size: 2 to 5
- Other functions: Backcheck & Delayed Action
- Casing finish: [SPECIFY FINISH]

Operational adjustment:

- Variable power: Matched to size, weight and location of doors.
- Latched doors: Override latches and/ or door seals when fitted.
- Unlatched doors: Hold shut under normal working conditions.
- Closing against smoke seals of fire doors: Positive. No gaps.

412 PERFORMANCE SPECIFICATION FOR OVERHEAD DOOR CLOSERS

- Standard: To BS EN 1154.
- Door closing devices to fire/ smoke control doors: CE marked.
- Minimum classification grades:
- Category of use: 4.
- Durability: 8
- Door closer power size: 5/2
- Suitability for use on fire/ smoke doors: 1
- Safety: 1
- Corrosion resistance: 3

Type: Rack & Pinion Overhead Door Closer with Backcheck & Delayed Action c/w Cover

- Other functions: Backcheck & Delayed Action
- Casing finish: [SPECIFY FINISH]
- Operational adjustment:
- Variable power: Matched to the sizes and weights of doors.
- Latched doors: Override latches and/ or door seals when fitted.
- Unlatched doors: Hold shut under normal working conditions.
- Closing against smoke seals of fire doors: Positive. No gaps.

For the purpose of continual product development, KCC reserves the right to change specifications without notice. Please accept all dimensions as approximate. E&OE. © KCC Group 2025.