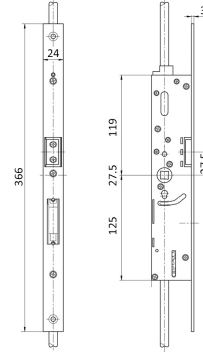


Description

Abloy Passive Leaf Lock for use with Abloy OneSystem locks from the Series 309NX7 / 319NX7 / 509NE7 / 519NE7 / 809NE7 / 819NE7. Double Leaf Doors. 55mm Backset (N19400009X60003)



Technical Features

Function & Operation Passive Leaf Lock for Double Leaf Doors
Summary of Features See advanced features

Options Backset: 35, 40, 45, 55, 65, 80mm

Dimensions

Dimensions See drawing

Finishes

Finishes Available Forend: Satin Chrome Plated

Certification

European Norm hEN179, hEN1125

Product Classification hEN179: ③ ⑦ ⑦ B ① ③ ④ ② A C
hEN1125: ③ ⑦ ⑦ B ① ③ ② ② (A B)
C

EC Certificate of Conformity No. See DOP

Certifire No. n/a

Declaration of Performance DoP-N1940.00

Other Test Evidence n/a

BC(A)R Assist™*

Guarantee 1 Year

Last Reviewed 19/01/2024

* ROI Only

For the purpose of continual product development, KCC reserves the right to change specifications without notice. Please accept all dimensions as approximate. E&OE. © KCC Group 2025.

Description

Abloy Passive Leaf Lock for use with Abloy OneSystem locks from the Series 309NX7 / 319NX7 / 509NE7 / 519NE7 / 809NE7 / 819NE7. Double Leaf Doors. 55mm Backset (N19400009X60003)

**Features**

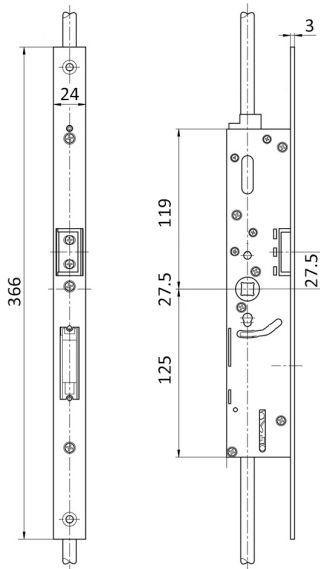
- Abloy OneSystem passive leaf lock N1940 for automatic locking of the inactive leaf upwards or downwards for double-leaf security doors
- For use with OneSystem locks from the series 309NX7 / 319NX7 / 509NE7 / 519NE7 / 809NE7 / 819NE7 on the active leaf.
- Compliance with EN 179, EN 1125
- Panic function inwards/outwards site selectable
- Bolt through fixings

Technical Characteristics

- Backset: 55 mm
- Material face plate: Chrome-plated steel
- Handle follower: 9 mm
- Panic function: No
- Monitoring: No
- Top locking: Yes
- Door type: Aluminium/steel profile
- Functions: Mechanical
- Door system: Double-leaf door
- Fire protection Yes
- Leaf type: Passive door leaf

Description

Abloy Passive Leaf Lock for use with Abloy OneSystem locks from the Series 309NX7 / 319NX7 / 509NE7 / 519NE7 / 809NE7 / 819NE7. Double Leaf Doors. 55mm Backset (N19400009X60003)



Specification Text

571 EMERGENCY EXIT DEVICES

- Standard: To BS EN 179.
- Emergency exit devices for locked doors on escape routes: CE marked.
- Manufacturer: Abloy
- Product reference: KEL-N1940-55
- Type: Abloy Passive Leaf Lock for use with Abloy OneSystem locks from the Series 309NX7 / 319NX7 / 509NE7 / 519NE7 / 809NE7 / 819NE7. Double Leaf Doors. 55mm Backset (N19400009X60003)

- Material/ finish: [SPECIFY FINISH]

- Additional requirements: None

572 PERFORMANCE SPECIFICATION FOR EMERGENCY EXIT DEVICES

- Standard: To BS EN 179.
- Emergency exit devices for locked doors on escape routes: CE marked.
- Minimum classification grades:
- Category of use: 3
- Durability: 7
- Door mass: 7
- Suitability for use on fire/ smoke doors: B
- Safety: 1
- Corrosion resistance: 3
- Security: 4
- Projection of operating element: 2
- Type of operation: A
- Field of application: C
- Material/ finish: [SPECIFY FINISH]
- Additional requirements: n/a

For the purpose of continual product development, KCC reserves the right to change specifications without notice. Please accept all dimensions as approximate. E&OE. © KCC Group 2025.