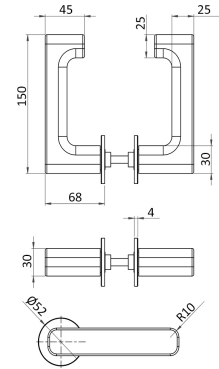
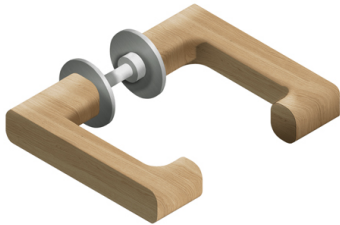


Description

Modus™ Oak Square Section Return to Door Lever Handle Internal Steel Reinforcement on Unsprung Stainless Steel 4mm Rose. Suitable for Internal Use



Technical Features

Material	Steel Reinforcement Oak Lever Handle with Stainless Steel Grade 316 Rose
Equality Act	n/a
Fixings	Woodscrews & Bolt Through Fixings
Spindle	8mm Heso
Options	n/a

Dimensions

Length A (mm)	150.00
Projection B (mm)	43.00
Projection C (mm)	68.00
Rose / Backplate Diameter D (mm)	52.00
Rose / Backplate Thickness E (mm)	4.00
Backplate Height F (mm)	n/a
Lock Centres G (mm)	n/a

Finishes

Finishes Available	Mid Oak c/w 5% matt lacquer. Suitable for interior use only. Other wood species available including Walnut, Sapele & Iroko
--------------------	----------------------------------------------------------------------------------------------------------------------------

Certification

European Norm	No Harmonised European Norm
Product Classification	n/a (No Harmonised European Norm)
EC Certificate of Conformity No.	n/a (No Harmonised European Norm)
Certifire No.	n/a (No Harmonised European Norm)
Declaration of Performance	n/a (No Harmonised European Norm)
Other Test Evidence	n/a

BIM Assist™

BC(A)R Assist™*

Guarantee

25 Years (Mechanical)

Last Reviewed 17/08/2023

* ROI Only

For the purpose of continual product development, KCC reserves the right to change specifications without notice. Please accept all dimensions as approximate. E&OE. © KCC Group 2024.

Description

Modus™ Oak Square Section Return to Door Lever Handle Internal Steel Reinforcement on Unsprung Stainless Steel 4mm Rose.
Suitable for Internal Use



Anti-vibration Rose

- All Modus roses incorporate a rubber o-ring that secures the rose outer to the inner to prevent the outer vibrating free

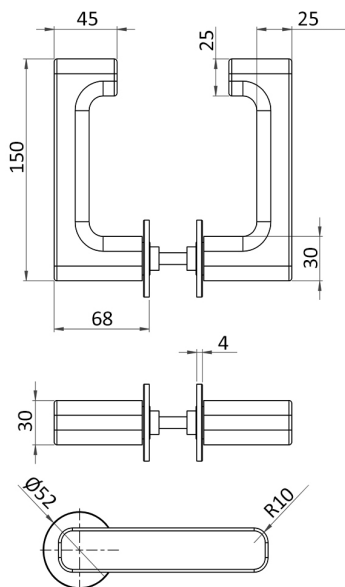
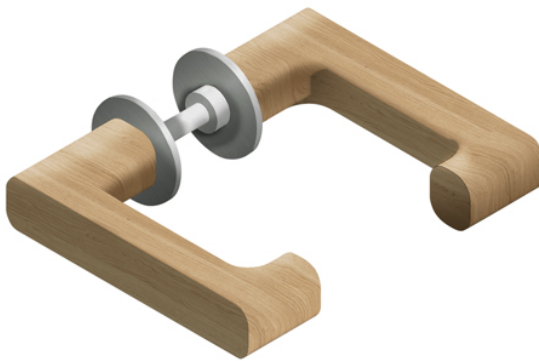


Bespoke Design & Materials

- This is a bespoke product range, almost anything can be done
- For finishes, we can offer waxes, oils and lacquers. All in differing gloss levels, colours and If you have a shade or colour in mind, we can try and match it
- Timber - Oak is the go-to timber but almost any can be sourced and used. We have worked with Ash, Walnut, Sapele, Iroko and a few others
- Different timber will lend themselves to different style of handle based on the timber's qualities

Description

Modus™ Oak Square Section Return to Door Lever Handle Internal Steel Reinforcement on Unsprung Stainless Steel 4mm Rose. Suitable for Internal Use



Specification Text

610 LEVER HANDLES

- Manufacturer: KCC Group
- Product reference: Modus KF-817001
- Description: Modus™ Oak Square Section Return to Door Lever Handle Internal Steel Reinforcement on Unsprung Stainless Steel 4mm Rose. Suitable for Internal Use
- Size: See drawing
- Material/ finish: Solid Mid Oak Lever Handle with Stainless Steel Grade 316 Rose. Oak finished with 5% matt lacquer
- Mounting: Woodscrews or bolt through fixings
- Additional requirements: Unsprung Rose, 25 Year Mechanical Warranty

622 PERFORMANCE SPECIFICATION FOR LEVER HANDLE SETS

- Standard: To BS EN 1906
- Minimum classification grades:
- Category of use: 4
- Durability: 7
- Door mass: - (no classification)
- Fire resistance: 1
- Safety: 1
- Corrosion resistance: 4
- Security: 0 -
- Type of operation: U
- Style: Round Bar Straight
- Size: 16mm
- Material/ finish: [SPECIFY FINISH] Grade 316 Stainless Steel
- Mounting: Woodscrews or bolt through fixings
- Additional requirements: Ball Bearing Unsprung Rose, 25 Year Warranty