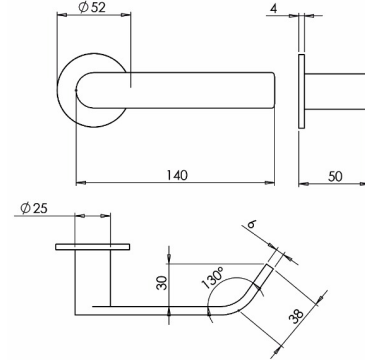


Description

Modus™ Return to Door Flat Section Unsprung Solid Stainless Steel 316 Lever Handle on Rose. PVD Finish



Technical Features

Material	Solid Stainless Steel Grade 316
Equality Act	n/a
Fixings	Woodscrews & Bolt Through Fixings
Spindle	8mm Heso
Options	n/a

Dimensions

Length A (mm)	140.00
Projection B (mm)	44.00
Projection C (mm)	50.00
Rose / Backplate Diameter D (mm)	52.00
Rose / Backplate Thickness E (mm)	4.00
Backplate Height F (mm)	n/a
Lock Centres G (mm)	n/a

Finishes

Finishes Available	Satin Stainless Steel, Polished Stainless Steel. PVD: Brass, Dark Bronze, Mid Bronze, Copper, Rose Gold & Black. Other PVD Colours Available Upon Request.
--------------------	--

Certification

European Norm	No Harmonised European Norm
Product Classification	n/a (No Harmonised European Norm)
EC Certificate of Conformity No.	n/a (No Harmonised European Norm)
Certifire No.	n/a (No Harmonised European Norm)
Declaration of Performance	n/a (No Harmonised European Norm)
Other Test Evidence	n/a

BIM Assist™

BC(A)R Assist™*

Guarantee

25 Years (Mechanical)

Last Reviewed 04/07/2023

* ROI Only

For the purpose of continual product development, KCC reserves the right to change specifications without notice. Please accept all dimensions as approximate. E&OE. © KCC Group 2024.

Description

Modus™ Return to Door Flat Section Unsprung Solid Stainless Steel 316 Lever Handle on Rose. PVD Finish



Anti-vibration Roses

- All Modus roses incorporate a rubber o-ring that secures the rose outer to the inner to prevent the outer vibrating free

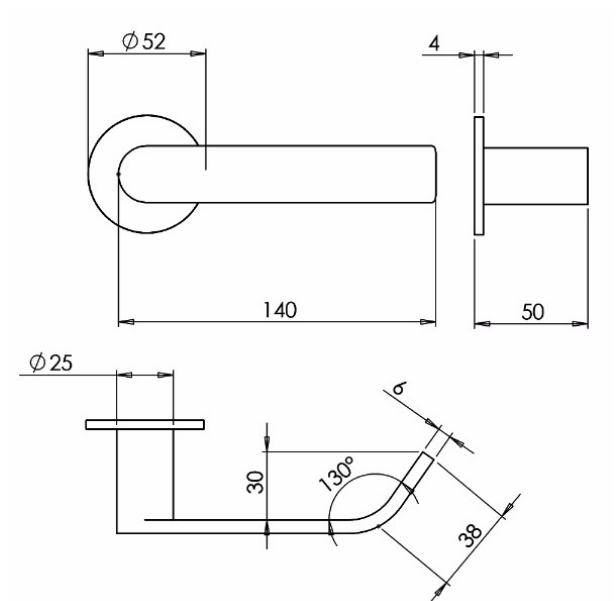
Description

Modus™ Return to Door Flat Section Unsprung Solid Stainless Steel 316 Lever Handle on Rose. PVD Finish

Specification Text

610 LEVER HANDLES

- Manufacturer: KCC Group
- Product reference: Modus KF-8108/2112
- Style: Flat Section Bar Return to Door
- Size: 25mm x 6mm
- Material/ finish: [SPECIFY FINISH] PVD, Grade 316 Stainless Steel
- Mounting: Woodscrews or bolt through fixings
- Additional requirements: Unsprung Rose, 25 Year Warranty



For the purpose of continual product development, KCC reserves the right to change specifications without notice. Please accept all dimensions as approximate. E&OE. © KCC Group 2024.