

Description

Gunnebo SpeedStile FL Series Flap Leaf Door Pedestrian Speed Gate for Internal Installation



Product Summary

The Gunnebo FL series is a motorised flap leaf entrance gate to control pedestrian entry or exit in restricted internal areas

Certification

European Norm	No Harmonised European Norm
Product Classification	n/a (No Harmonised European Norm)
EC Certificate of Conformity No.	n/a (No Harmonised European Norm)
Certifire No.	n/a
Declaration of Performance	n/a (No Harmonised European Norm)
Other Test Evidence	n/a

BIM Assist™

CE

BC(A)R Assist™*

Guarantee

2 Years Mechanical

Last Reviewed

05/12/2022

* ROI Only

For the purpose of continual product development, KCC reserves the right to change specifications without notice. Please accept all dimensions as approximate. E&OE. © KCC Group 2025.

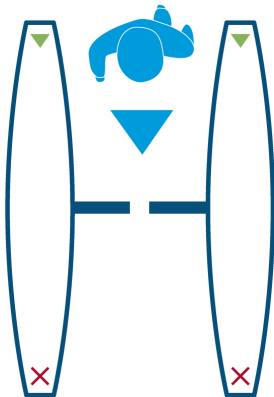
Description

Gunnebo SpeedStile FL Series Flap Leaf Door Pedestrian Speed Gate for Internal Installation



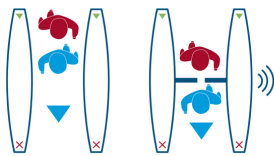
Features

- Flap Leaf Door Pedestrian Speed Gate for Internal Installation
- Transparent design with high customisation potential
- Small footprint
- Advanced user safety system

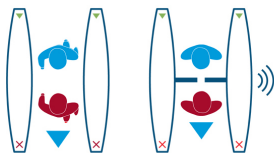


Mode of Operation

- Normally Closed: Passage in one or both directions is electronically controlled. On receiving a signal from the access control system, or remote control, the flap leaves open. If an unauthorised person tries to tailgate or attempts to enter from the opposite direction, the in-built alarm system is activated. If within the pre-set timeout no passage has occurred, the lane will close and reset
- Normally Open: Provides an open walkway in rest position and will only close at unauthorised entry or tailgating attempts



Tailgate Detection



Wrong Way Detection

Security Features

- Fraud detection through sophisticated & proven algorithm:
 - Intrusion
 - Tailgating
 - Wrong-way direction

Illuminated Symbols



- LED display indicators on the column drive post
- Green Arrow
 - Steady: Authorised use or designated free passage, proceed through the unit
 - Flashing: Emergency/Fire exit
- Red Cross
 - Steady: Unit in use or no passage, passage not authorised
 - Flashing: Alarm, fraudulent-condition or technical alarm



Illuminated Symbols (Optional)

- LED display pictogram & LED way-mode indicators flush mounted within the lid surface

Design / Construction



- Top Lid: Anodised aluminium silver (anodised black aluminium for EV version)
- Chassis, plinth, end leg posts & rotor column: Finishing in grade 304 stainless steel
- Glass inlay: 13.5mm
- Optional Finishes for Lid
 - Traffic orange: Gloss RAL 2009
 - Light ivory: Gloss RAL 1015
 - Ruby red: Gloss RAL 3003
 - Traffic blue: Gloss RAL 5017
 - Basalt grey: Gloss RAL 7012
 - Traffic white: Gloss RAL 9016
 - Signal white: Matt RAL 9003
 - Grey aluminium: Matt RAL 9007
 - Terra brown: Matt RAL 8028
 - Signal black: Matt RAL 9004
 - Jet black: Matt RAL 9005
- Applied finishes for top lid:
 - White or black carbon fibre effect
 - Dark mahogany effect
 - Light maple effect

For the purpose of continual product development, KCC reserves the right to change specifications without notice. Please accept all dimensions as approximate. E&OE. © KCC Group 2025.

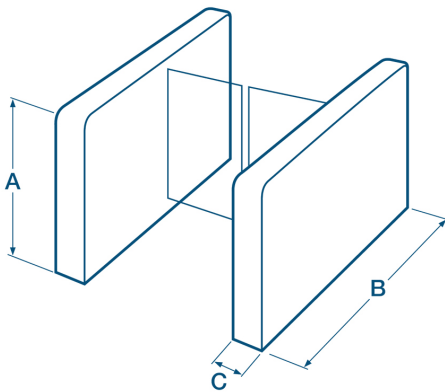
Technical Characteristics



- Infrared sensor presence sensing
- Voltage free contact input for fire alarm fail state
- Manual push opening on power off
- Wide walkway option for accompanied wheelchair or child passage management *
- Approximate flow rate
 - Insertion type reader: 20 passages per minute
 - Swipe type reader: 30 passages per minute
 - Proximity type reader: 40 passages per minute
- Power supply: 230Vac 50Hz (115Vac 60Hz option)
- Power rating: 120VA stand-by & 300VA in operation
- Fire signal: Input for voltage free contact
- Operating temperature: +5°C to +40°C RH 95% No condensing
- IP rating: IP20
- Noise level: Less than 55dB

**For security and safety reasons children must be supervised by an adult at all times in the vicinity of an active lane. Any child being escorted through the lane must always precede the accompanying adult during passage*

Dimensions & Weights



Standard 1000

- Overall height: 1000
- Passage width: 600
- Cabinet height A: 1000
- Cabinet length B: 1500/1925
- Cabinet width C: 170
- Weight side cabinet: 135kg
- Weight centre cabinet: 150kg

Wide 1000

- Overall height: 1000
- Passage width: 900
- Cabinet height A: 1000
- Cabinet length B: 1500/1925
- Cabinet width C: 170
- Weight side cabinet: 137kg
- Weight centre cabinet: 154kg

Standard 1200

- Overall height: 1200
- Passage width: 600
- Cabinet height A: 1000
- Cabinet length B: 1500/1925
- Cabinet width C: 170
- Weight side cabinet: 140kg
- Weight centre cabinet: 160kg

Wide 1200

- Overall height: 1200

For the purpose of continual product development, KCC reserves the right to change specifications without notice. Please accept all dimensions as approximate. E&OE. © KCC Group 2025.

- Passage width: 900
- Cabinet height A: 1000
- Cabinet length B: 1500/1925
- Cabinet width C: 170
- Weight side cabinet: 142kg
- Weight centre cabinet: 164kg

Standard 1800

- Overall height: 1800
- Passage width: 600
- Cabinet height A: 1000
- Cabinet length B: 1500/1925
- Cabinet width C: 170
- Weight side cabinet: 147kg
- Weight centre cabinet: 174kg

Wide 1800

- Overall height: 1800
- Passage width: 900
- Cabinet height A: 1000
- Cabinet length B: 1500/1925
- Cabinet width C: 170
- Weight side cabinet: 149kg
- Weight centre cabinet: 178kg

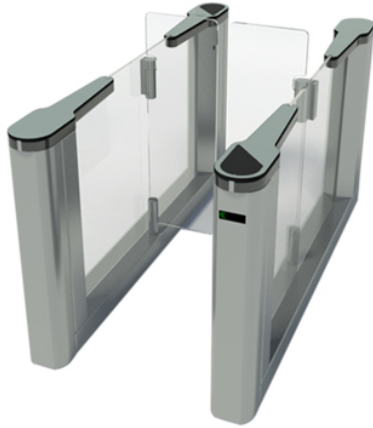


KAB-GUNN/FL-EV

- This model has identical features yet the lid finish is anodised black aluminium

Description

Gunnebo SpeedStile FL Series Flap Leaf Door Pedestrian Speed Gate for Internal Installation

**Specification Text****SENSOR BARRIER / TURNSTILE**

- Manufacturer: Gunnebo
- Product reference: KAB-GUNN/FL-BA
- Type: Gunnebo SpeedStile FL Series Flap Leaf Door Pedestrian Speed Gate for Internal Installation
- Flow rate: Up to 40 people per minute with proximity reader
- Passing direction: Single & bi-directional
- Working environment: Internal
- Framework material: Grade 304 stainless steel
- Passage width: 600-900mm
- LED indication: Yes
- Emergency: Push open when power is off
- Fire signal: Input for voltage free contact
- Power supply: AC220V 50Hz (Option AC115V 60Hz)
- Operation voltage: 24vDC
- Power consumption: 120VA Stand-by (300VA Operation)
- Operation temperature: +5°C to +40°C
- Operation Humidity: 0 ~ 95% (no condensing)