

Description

Gunnebo SpeedStile FLS - DS Series Slim Swing Door Pedestrian Speed Gate for Internal Installation



Product Summary

The Gunnebo FL: series is a motorised entrance gate to control pedestrian entry or exit in restricted internal areas

Certification

European Norm	No Harmonised European Norm
Product Classification	n/a (No Harmonised European Norm)
EC Certificate of Conformity No.	n/a (No Harmonised European Norm)
Certifire No.	n/a
Declaration of Performance	n/a (No Harmonised European Norm)
Other Test Evidence	n/a

BIM Assist™

CE

BC(A)R Assist™*

Guarantee

2 Years Mechanical

Last Reviewed

05/12/2022

* ROI Only

For the purpose of continual product development, KCC reserves the right to change specifications without notice. Please accept all dimensions as approximate. E&OE. © KCC Group 2025.

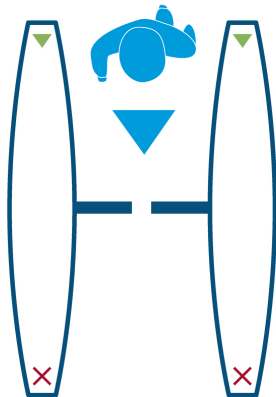
Description

Gunnebo SpeedStile FLS - DS Series Slim Swing Door Pedestrian Speed Gate for Internal Installation



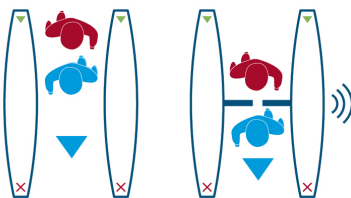
Features

- Slim Swing Door Pedestrian Speed Gate for Internal Installation
- Minimalist design with high customisation potential
- Minimal footprint
- Swing Doors opening in the direction of passage for an optimum welcome effect
- Advanced user safety system



Mode of Operation

- Normally Closed: Passage in one or both directions is electronically controlled. On receiving a signal from the access control system, or remote control, the wings open. If an unauthorised person tries to tailgate or attempts to enter from the opposite direction, the in-built alarm system is activated. If within the pre-set timeout no passage has occurred, the lane will close and reset



Tailgate Detection

Security Features

- Fraud detection through sophisticated & proven algorithm:
 - Intrusion
 - Tailgating
 - Wrong-way direction

Illuminated Symbols



- LED display indicators on the column drive post
- Green Arrow
 - Steady: Authorised use or designated free passage, proceed through the unit
 - Flashing: Emergency/Fire exit
- Red Cross
 - Steady: Unit in use or no passage, passage not authorised
 - Flashing: Alarm, fraudulent-condition or technical alarm

Design / Construction



- Elliptic Top Lid: Applied grey aluminium c/w stainless steel effect centre strip
- Chassis, plinth & end leg posts: Finishing in grade 304 stainless steel
- Glass inlay: 10mm
- Optional Finishes for Lid
 - Traffic orange: Gloss RAL 2009
 - Light ivory: Gloss RAL 1015
 - Ruby red: Gloss RAL 3003
 - Traffic blue: Gloss RAL 5017
 - Basalt grey: Gloss RAL 7012
 - Traffic white: Gloss RAL 9016
 - Signal white: Matt RAL 9003
 - Grey aluminium: Matt RAL 9007
 - Terra brown: Matt RAL 8028
 - Signal black: Matt RAL 9004
 - Jet black: Matt RAL 9005
- Applied finishes for top lid:
 - White or black carbon fibre effect
 - Dark mahogany effect
 - Light maple effect

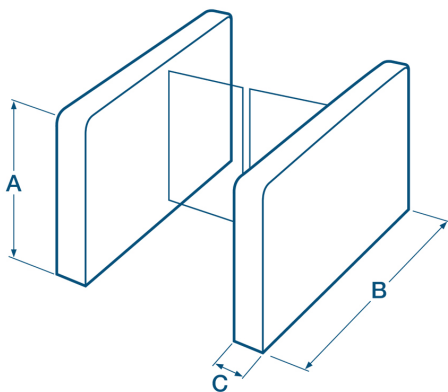


Technical Characteristics

- Infrared sensor presence sensing
- Voltage free contact input for fire alarm fail state
- Manual push opening on power off
- Wide walkway option for accompanied wheelchair or child passage management *
- Approximate flow rate
 - Insertion type reader: 20 passages per minute
 - Swipe type reader: 30 passages per minute
 - Proximity type reader: 40 passages per minute
- Power supply: 230Vac 50Hz (115Vac 60Hz option)
- Power rating: 20VA stand-by & 120VA in operation
- Fire signal: Input for voltage free contact
- Operating temperature: +5°C to + 40°C RH 95% No condensing
- IP rating: IP20
- Noise level: Less than 55dB

**For security and safety reasons children must be supervised by an adult at all times in the vicinity of an active lane. Any child being escorted through the lane must always precede the accompanying adult during passage*

Dimensions & Weights



Standard short lane

- Overall height: 940
- Passage width: 600
- Cabinet height A: 940
- Cabinet length B: 1800
- Cabinet width C: 120
- Weight side cabinet: 75kg
- Weight centre cabinet: 90kg

Wide short lane

- Overall height: 940
- Passage width: 900
- Cabinet height A: 940
- Cabinet length B: 1800
- Cabinet width C: 120
- Weight side cabinet: 78kg
- Weight centre cabinet: 96kg

Description

Gunnebo SpeedStile FLS - DS Series Slim Swing Door Pedestrian Speed Gate for Internal Installation



Specification Text

SENSOR BARRIER / TURNSTILE

- Manufacturer: Gunnebo
- Product reference: KAB-GUNN/DS
- Type: Gunnebo SpeedStile FLS - DS Series Slim Swing Door Pedestrian Speed Gate for Internal Installation
- Flow rate: Up to 40 people per minute with proximity reader
- Passing direction: Single & bi-directional
- Working environment: Internal
- Framework material: Grade 304 stainless steel
- Passage width: 600-900mm
- LED indication: Yes
- Emergency: Push open when power is off
- Fire signal: Input for voltage free contact
- Power supply: AC220V 50Hz (Option AC115V 60Hz)
- Operation voltage: 24vDC
- Power consumption: 20VA Stand-by (120VA Operation)
- Operation temperature: +5°C to +40°C
- Operation Humidity: 0 ~ 95% (no condensing)