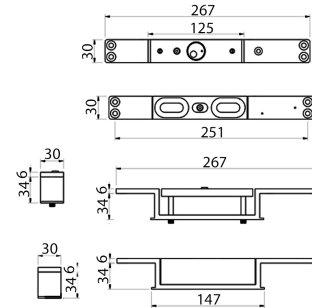


Description

KCC Mortice Electromagnetic Shearlock Monitored, 2700lbs Holding Force



Technical Features

Function & Operation	Electromagnetic Shearlock
Summary of Features	Monitored. Holding force of up to 2700lbs (1226kg) in shear, site selectable 12 or 24v DC. Locking time delay of 1-6 seconds adjustable. Current draw: Pull In 2.2A, Holding 0.5A @ 12vDC. Pull In 2.2A, Holding 0.5A @ 24vDC. Operating temperature -30 to 55 degrees C

Options	Magnetic Bond Sensor Output (MBS). Stainless Steel Housing
---------	---------------------------------------------------------------

Dimensions

Dimensions	Magnet: L267 x W30 x D34
------------	--------------------------

Finishes

Finishes Available	Black
--------------------	-------

Certification

European Norm	No Harmonised European Norm
Product Classification	n/a (No Harmonised European Norm)
EC Certificate of Conformity No.	n/a (No Harmonised European Norm)
Certifire No.	n/a (No Harmonised European Norm)
Declaration of Performance	n/a (No Harmonised European Norm)
Other Test Evidence	n/a

BIM Assist™

BC(A)R Assist™*

Guarantee

1 Year

Last Reviewed

30/11/2016

* ROI Only

For the purpose of continual product development, KCC reserves the right to change specifications without notice. Please accept all dimensions as approximate. E&OE. © KCC Group 2026.

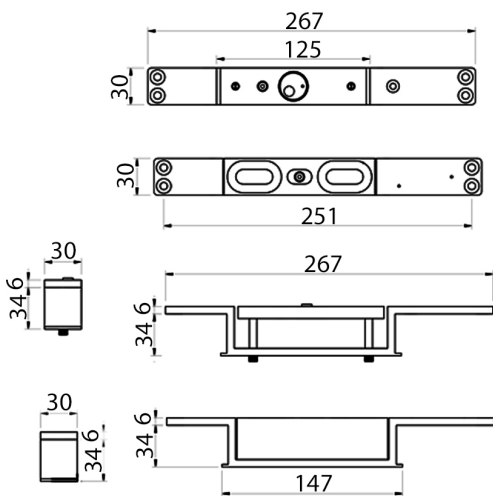
Description

KCC Mortice Electromagnetic Shearlock Monitored, 2700lbs Holding Force

Specification Text

GENERAL ACCESS CONTROL

- Manufacturer: KCC Group
- Product reference: KEM-GS705-30
- Type: Electromagnetic Shearlock Monitored
- Size: Magnet: L267 x W30 x D34
- Material/ finish: Black



*For the purpose of continual product development, KCC reserves the right to change specifications without notice.
Please accept all dimensions as approximate. E&OE. © KCC Group 2026.*