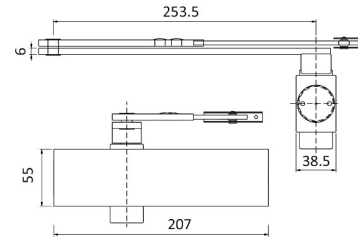


**Description**

KCC Overhead Door Closer c/w Backcheck\* & Delayed Action\* (\*Excludes Figure 61)



**Technical Features**

EN Power Size	2 to 5	Hold Open	Optional by Arm (not suitable for Fire Doors)
Width of Door (mm)	850 - 1250	Non-handed	Yes
Door Width Test Weight (Kg) - see EN1154	40 - 100	Cover	Yes
Arm Type	Standard 'V'	Application	Fig 1, Fig 61
Closing Mechanism	Rack & Pinion	<b>Dimensions</b>	
Power Shoe Arm Bracket	Yes	Body Length (mm)	268.60
Angle of Opening	180 Degrees	Body Height (mm)	70.10
Power Adjustable by	Spring	Body Projection / Width (mm)	40.50
Adjustable Speed. Sweep/Latch	Yes / Yes	<b>Finishes</b>	
Backcheck	By Valve	Finish without Cover	n/a
Delayed Action Adjustable	By Valve	Finish with Cover	SSS, PSS, PB, RAL Colour

**Certification**

European Norm	hEN1154
Product Classification	④ ⑧ ⑤ ① ① ③ ②
EC Certificate of Conformity No.	2812-CPR-AD0116
Certifire No.	CF5263
Declaration of Performance	DOP003
Other Test Evidence	Successful test of opening moments at power size 3. Test report 186741 & 188120

**BIM Assist™**

**CE**

**Certifire**

**BC(A)R Assist™\***

**Guarantee**

**10 Years**

Last Reviewed

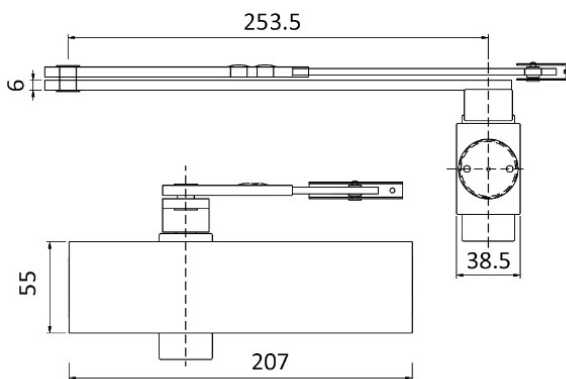
11/04/2022

\* ROI Only

*For the purpose of continual product development, KCC reserves the right to change specifications without notice. Please accept all dimensions as approximate. E&OE. © KCC Group 2025.*

**Description**

KCC Overhead Door Closer c/w Backcheck\* & Delayed Action\* (\*Excludes Figure 61)



**Specification Text**

- 410 OVERHEAD DOOR CLOSERS**
- Standard: To BS EN 1154.
  - Door closing devices to fire/ smoke control doors: CE marked.
  - Manufacturer: KCC Group
  - Product reference: KD-9150/TS5.225
  - Type: Rack & Pinion Overhead Door Closer with Backcheck and Delayed Action c/w Cover
  - Power size: 2 to 5
  - Other functions: Backcheck & Delayed Action
  - Casing finish: [SPECIFY FINISH]
  - Operational adjustment:
  - Variable power: Matched to size, weight and location of doors.
  - Latched doors: Override latches and/ or door seals when fitted.
  - Unlatched doors: Hold shut under normal working conditions.
  - Closing against smoke seals of fire doors: Positive. No gaps.
- 412 PERFORMANCE SPECIFICATION FOR OVERHEAD DOOR CLOSERS**
- Standard: To BS EN 1154.
  - Door closing devices to fire/ smoke control doors: CE marked.
  - Minimum classification grades:
  - Category of use: 4.
  - Durability: 8
  - Door closer power size: 5/2
  - Suitability for use on fire/ smoke doors: 1
  - Safety: 1
  - Corrosion resistance: 3
  - Type: Rack & Pinion Overhead Door Closer with Backcheck & Delayed Action c/w Cover
  - Other functions: Backcheck & Delayed Action
  - Casing finish: [SPECIFY FINISH]
  - Operational adjustment:
  - Variable power: Matched to the sizes and weights of doors.
  - Latched doors: Override latches and/ or door seals when fitted.
  - Unlatched doors: Hold shut under normal working conditions.
  - Closing against smoke seals of fire doors: Positive. No gaps.

*For the purpose of continual product development, KCC reserves the right to change specifications without notice. Please accept all dimensions as approximate. E&OE. © KCC Group 2025.*