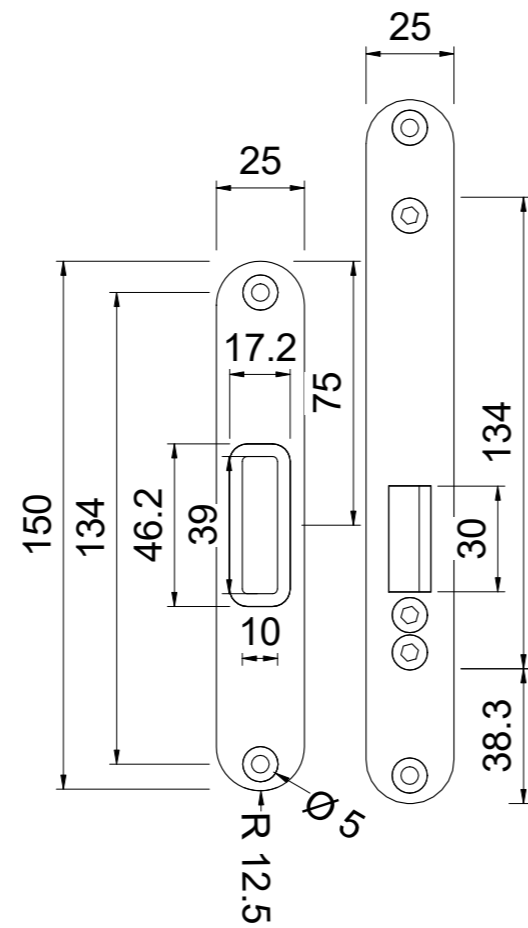
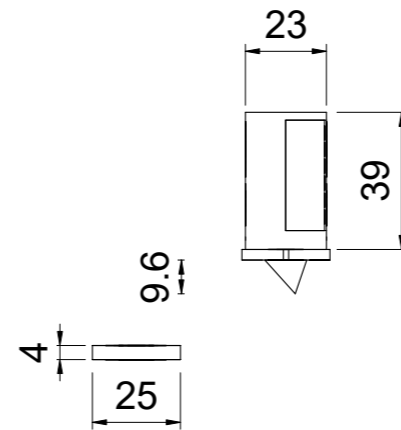


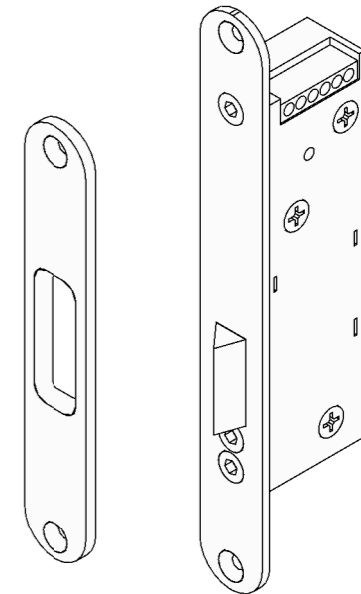
02 Side View
1 : 2



03 Front View
1 : 2



04 Top View
1 : 2



01 3D View

Electric Lock			
Item	Description	Material	Finish Option
KEL-351 M80	Abloy Electric Lock, Narrow Style with Motor	Stainless Steel Face Plate	Stainless Steel Face Plate

Rev	Date	Description	Initial
Title : KEL-351 M80			
Contract : KCC Architectural			
Scales are as shown, original drawing size A3			
		Creator : Sohraab	
		Checked by : Denis	
		Scale : N.T.S	
		First issue : 12-10-2018	
		Project No :	
DRG No :		Rev	A