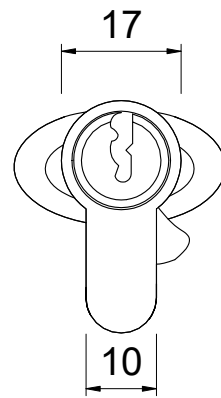
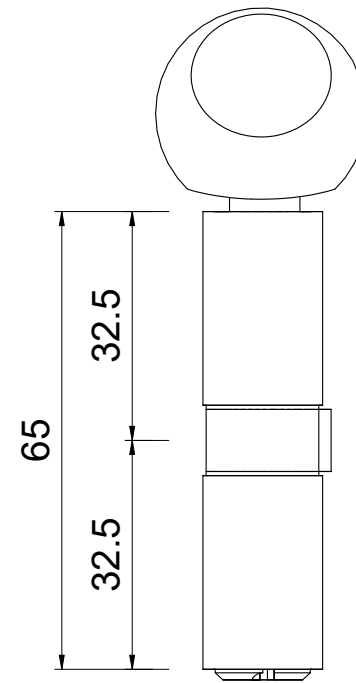


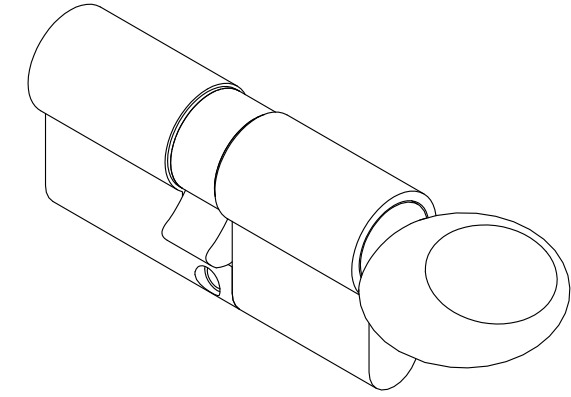
**02 Side View**  
1:1



**03 Front View**  
1:1



**04 Top View**  
1:1



**01 3D View**

Item	Description	Finish Option
KC-9410	KCC Premium, Restricted Single & Turn Cylinder 3030	Satin Nickel 02, Polished Brass 20

Rev	Date	Description	Initial
Title : KC-9410			
Contract : KCC GROUP			
Scales are as shown, original drawing size A3			
		Creator : IN	
		Checked by : IS	
		Scale : N.T.S	
		First issue : 03-05-2023	
		Project No :	
DRG No :		Rev	